

Product designation				Power contactor
Product type designation				DPBF32
<b>Contact characteristics</b>				
Number of poles	Nr.	3		
Operational frequency	min	Hz	25	
	max	Hz	400	
<b>Mechanical features</b>				
Operating position	normal allowable	Vertical plan ±30°		
Fixing				Screw / DIN rail 35mm
Weight	g	422		
<b>Operations</b>				
Mechanical life	cycles	20000000		
Electrical life	cycles	1600000		
<b>Safety related data</b>				
Performance level B10d according to EN/ISO 13489-1	rated load mechanical load	cycles	1600000	
		cycles	20000000	
Mirror contacts according to IEC/EN 60947-4-1				yes
EMC compatibility				yes
<b>AC coil operating</b>				
Rated AC voltage at 60Hz	V	230		
AC operating voltage	of 60Hz coil powered at 60Hz			
	pick-up			
	min	%Us	80	
	max	%Us	110	
	drop-out			
	min	%Us	20	
	max	%Us	55	
AC average coil consumption at 20°C	of 60Hz coil powered at 60Hz			
	in-rush holding	VA	75	
		VA	9	
Dissipation at holding =20°C 50Hz	W	2.5		
<b>Max cycles frequency</b>				
Mechanical operation	cycles/h	3600		
<b>Operating times</b>				
Average time for Us control in AC				
	Closing NO			
	min	ms	8	
	max	ms	24	
	Opening NO			
	min	ms	5	
	max	ms	15	
	Closing NC			
	min	ms	9	
	max	ms	20	
	Opening NC			

min	ms	9
max	ms	17

**UL technical data**

Full-load current (FLA) for three-phase AC motor

at 600V	A	50
---------	---	----

Yielded mechanical performance

for single-phase AC motor

110/120V	HP	3
230V	HP	10

for three-phase AC motor

200/208V	HP	15
220/230V	HP	15
460/480V	HP	30
575/600V	HP	40

General USE

Contactor

AC current	A	55
------------	---	----

Short-circuit protection fuse, 600V

Standard fault

Short circuit current	kA	5
Fuse rating	A	150
Fuse class		RK5

**Ambient conditions**

Temperature

Operating temperature

min	°C	-50
max	°C	70

Storage temperature

min	°C	-60
max	°C	80

Max altitude

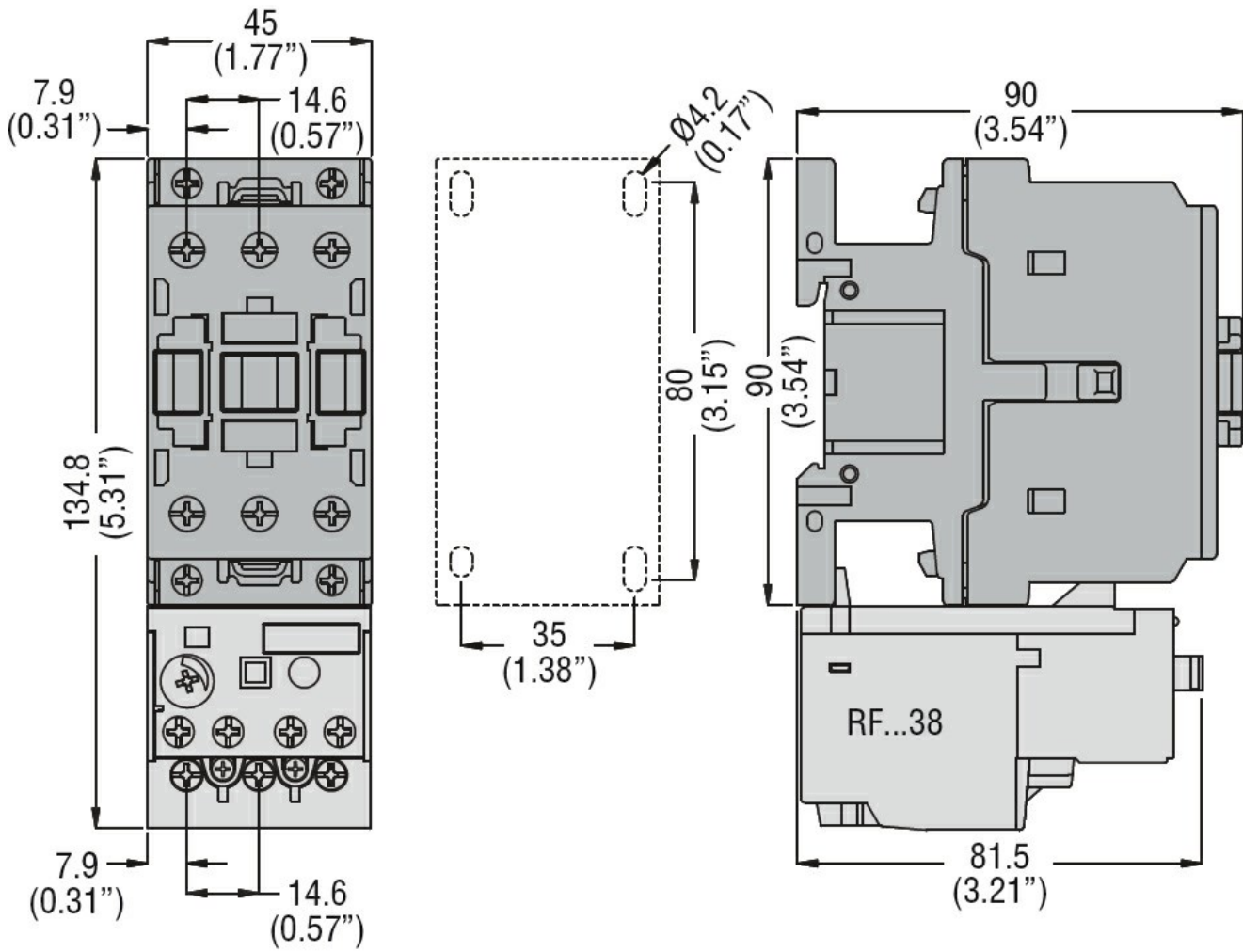
m	3000
---	------

**Resistance & Protection**

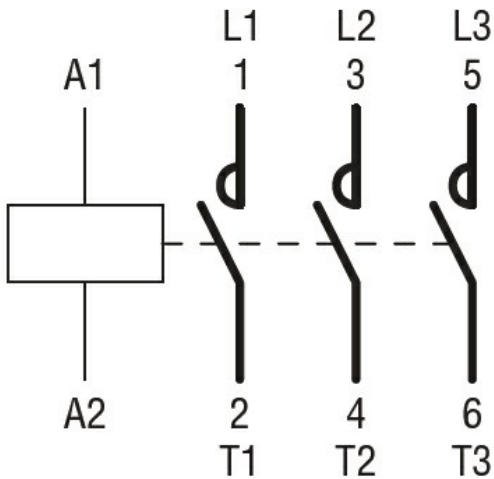
Pollution degree

3

**Dimensions**



**Wiring diagrams**



**Certifications and compliance**

**Compliance**

- CSA C22.2 n° 60947-1
- CSA C22.2 n° 60947-4-56
- UL 60947-1
- UL 60947-4-1

**Certificates**

cULus

ETIM classification

ETIM 8.0

EC000066 -  
Power contactor,  
AC switching